

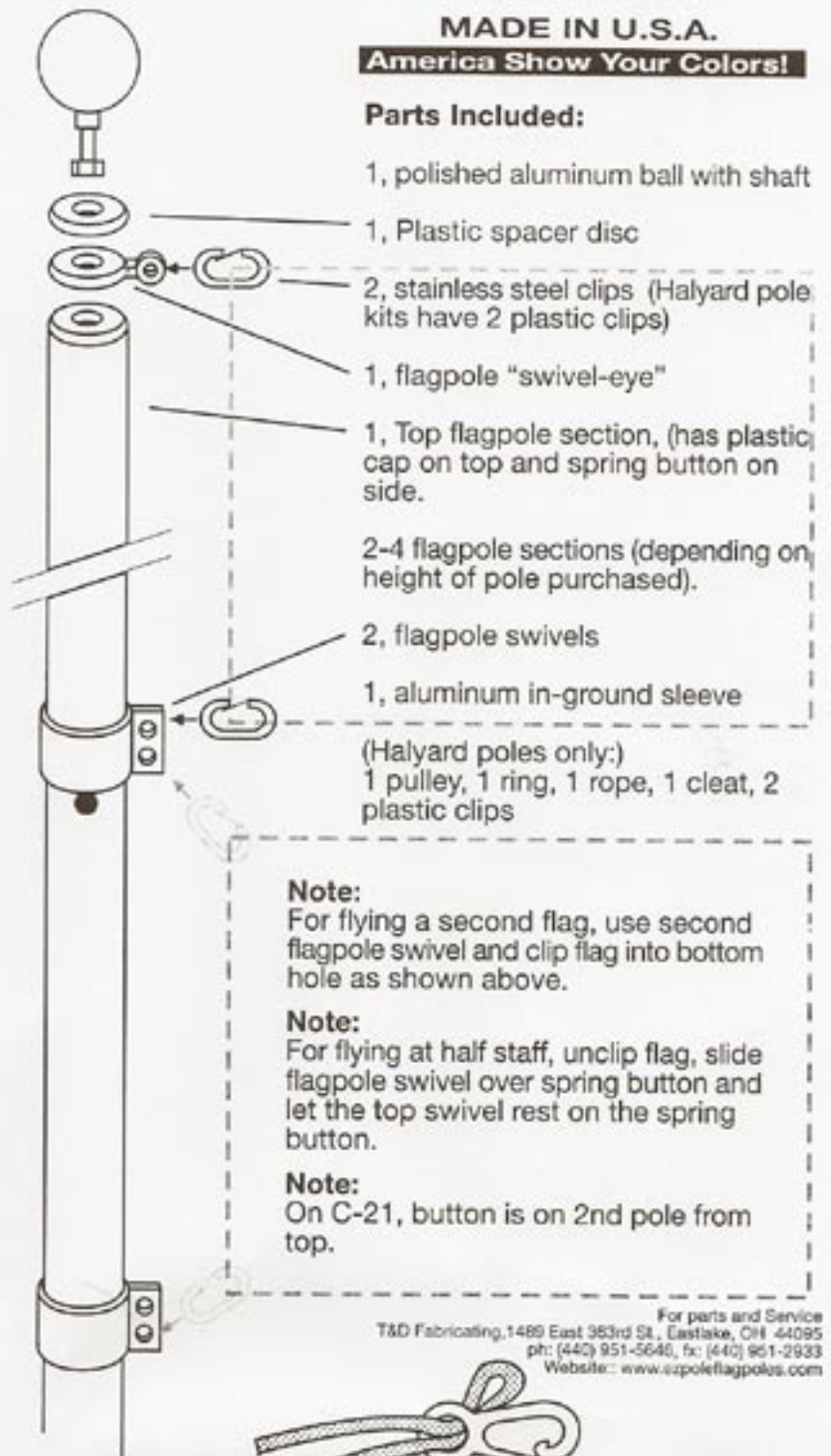
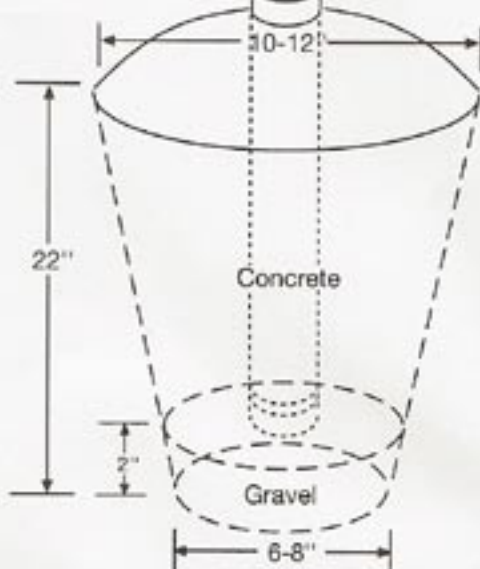
# Instructions for In-Ground EZPole™ Flagpoles & Mounts

"The Patriot", "The Classic" series, and "The Defender" models

## Tools and Materials Needed:

- Post Hole Digger
- level
- ruler or tape measure
- 1 40# bag of quick setting cement
- 1/2 Gal. of gravel
- Mixing container.

1. Select flag pole location. Check for underground sprinkler water lines and electrical lines before you dig.
2. Dig a 22" hole with a tapered diameter, see diagram below.
3. Put 2" of gravel around base of sleeve, (Allows for drainage)
4. Place aluminum sleeve with bottom section of pole into place so cement won't fill bottom of sleeve.
5. Mix bag of cement and pour into hole.
6. Mound up concrete around sleeve to allow for water runoff.
7. Use level to square vertical. Stabilize for 24 hours. Insert remaining sections.



**MADE IN U.S.A.**  
**America Show Your Colors!**

## Parts Included:

- 1, polished aluminum ball with shaft
- 1, Plastic spacer disc
- 2, stainless steel clips (Halyard pole kits have 2 plastic clips)
- 1, flagpole "swivel-eye"
- 1, Top flagpole section, (has plastic cap on top and spring button on side.
- 2-4 flagpole sections (depending on height of pole purchased).
- 2, flagpole swivels
- 1, aluminum in-ground sleeve
- (Halyard poles only):  
1 pulley, 1 ring, 1 rope, 1 cleat, 2 plastic clips

### Note:

For flying a second flag, use second flagpole swivel and clip flag into bottom hole as shown above.

### Note:

For flying at half staff, unclip flag, slide flagpole swivel over spring button and let the top swivel rest on the spring button.

### Note:

On C-21, button is on 2nd pole from top.

For parts and Service  
T&D Fabricating, 1489 East 363rd St., Eastlake, OH 44095  
ph: (440) 951-5646, fx: (440) 951-2933  
Website: [www.ezpoleflagpoles.com](http://www.ezpoleflagpoles.com)

## Attaching Halyard (Only for poles with a rope)

1. Bring loop through loop as shown at the mid-length of the halyard.
2. Loop in second clip 36" below first clip.
3. Feed halyard through pulley after assembled to top section.
4. Tie the halyard together and after pole assembly is placed upright, lash halyard to cleat.

